

**INSTALLATION INSTRUCTIONS:  
CLASSIC TRACTION BARS**



865.938.6696 www.dufftuff.com  
6609 Bronco Ln.  
Knoxville, TN 37921

1/1 05/25

**PART #5300-07**

**CONTENTS:**

- 2 Stabilizer Bars
- 2 to 4 Axle Brackets
- 2 to 4 Spring Hanger Plates

**BUSHING BAG:**

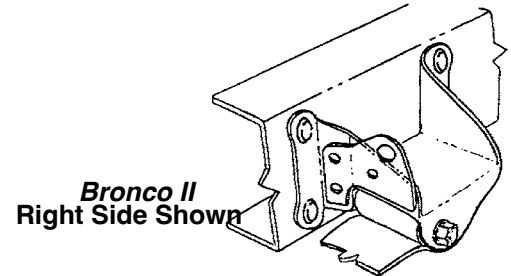
- 4 Urethane Grommets
- 4 Urethane Bushings
- 4 Sleeves

**HARDWARE BAG:**

- 4 Dished Washers
- 8 3/8" x 1" NF GR 5 Hex Screws
- 8 3/8" NF Nyloc Nuts
- 4 1/2" NF Hex Nuts
- 4 1/2" Lockwashers
- 2 1/2" Flatwashers
- 2 1/2" x 3" NC GR 5 Hex Bolts
- 2 1/2" NC Nyloc Nuts
- 5303 '80-'96 Full-Size Bronco Only**
- 6 3/8"-16 x 1.5" NC GR 5 Hex Bolts
- 6 3/8" NC Nyloc Nuts

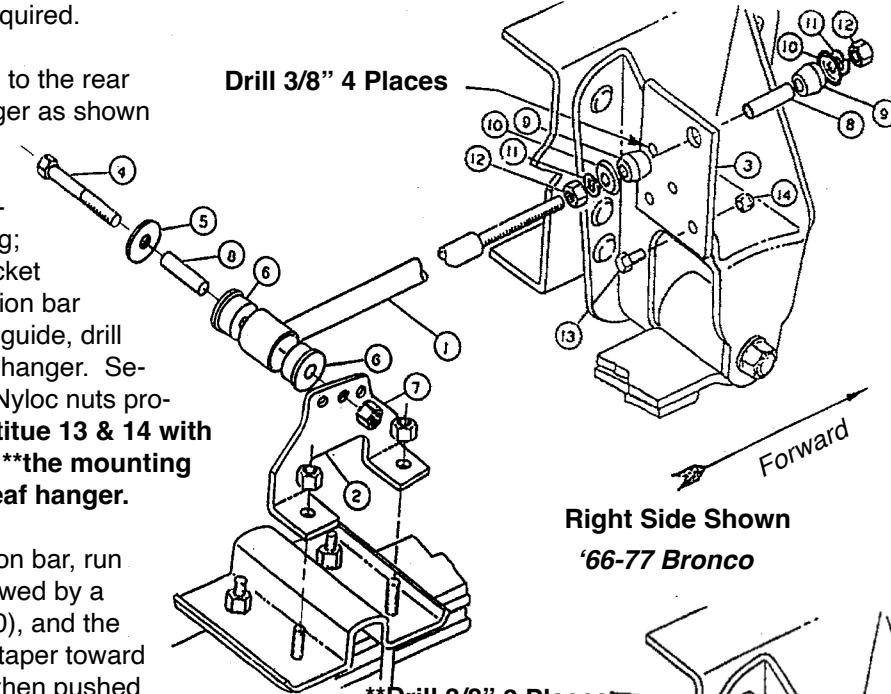
**Please read all instructions before beginning.**

1. Place the rear axle on jack stands and remove the rear wheels.
2. Remove the two outboard U-bolt retaining nuts. Place the rear mounting bracket (2) on the U-bolts with the mounting flange toward the outside as shown. Replace the U-bolt retaining nuts and torque as required.



3. Clamp the front mounting plate (3) to the rear flange face of the forward spring hanger as shown in the drawing. Loose fit the traction bar (1) into the front and rear mounting holes and check the parallel alignment of the traction bar with the spring; minor adjustment of the clamped bracket may be necessary. Remove the traction bar and using the clamped brackets as a guide, drill four 3/8" diameter holes in the spring hanger. Secure with the four 3/8" x 1" bolts and Nyloc nuts provided. (13, 14) **For FSB install substitute 13 & 14 with FSB supplied hardware (HC5303) - \*\*the mounting plate for the FSB goes inside the leaf hanger.**

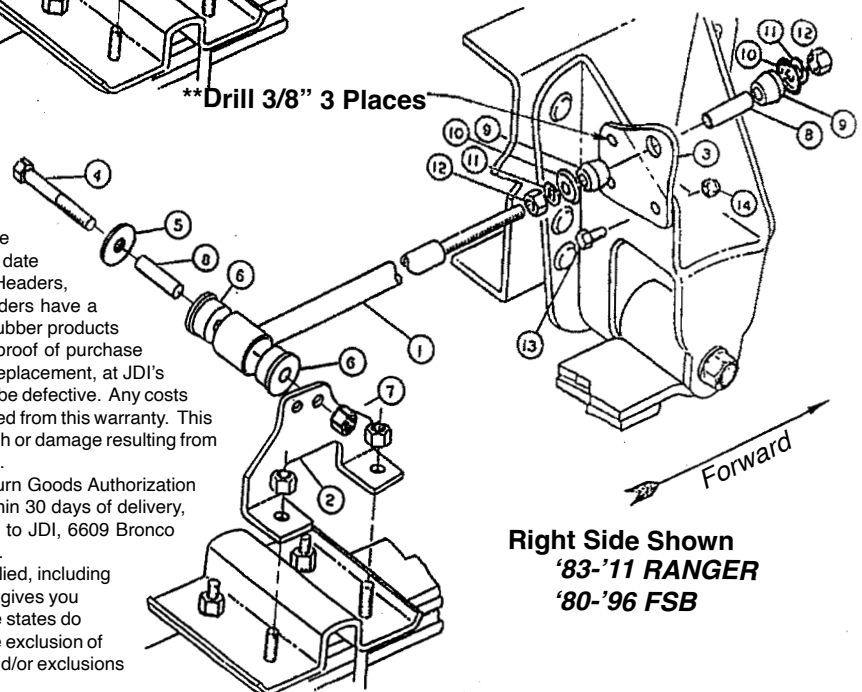
**Drill 3/8" 4 Places**



**Right Side Shown  
'66-77 Bronco**

4. On the threaded end of the traction bar, run a 1/2" nut (12) down to the weld; followed by a lock washer (11), a dished washer (10), and the urethane grommet (9), with the short taper toward the washer. The metal sleeve (8) is then pushed down the threaded rod and into the grommet.

**\*\*Drill 3/8" 3 Places**



**Right Side Shown  
'83-'11 RANGER  
'80-'96 FSB**

*(continued on back page...)*

**LIMITED WARRANTY**

James Duff Inc. warrants our products to the original purchaser to be free from defects in materials and workmanship. Warranty periods begin at the date of purchase and varies by product. Shocks have a limited lifetime warranty. Headers, Radiators, Suspension Products, Power Brake Boosters and Master Cylinders have a one year warranty. Adapters and soft goods such as upholstery, vinyl and rubber products have a 90 day warranty. All warranties are to the original purchaser with proof of purchase only. Such obligations under this warranty shall be limited to the repair or replacement, at JDI's discretion, of any assembly or part which upon examination by JDI proves to be defective. Any costs of removal, installation, reinstallation or freight charges are expressly excluded from this warranty. This warranty covers only manufacturers defects, and does not cover product finish or damage resulting from abuse, misuse, negligence, racing, alteration, accident or damage in transit.

All returns must be pre-authorized by JDI and accompanied with a Return Goods Authorization Number (RGA) and a dated proof of purchase. Returns must be made within 30 days of delivery, packaged sufficiently to prevent damage in shipment and shipped prepaid to JDI, 6609 Bronco Ln., Knoxville, TN 37921. Returns without an RGA# or COD will be refused.

This warranty is expressly in lieu of all other warranties, expressed or implied, including the implied warranties of merchantability and fitness for use. This warranty gives you specific legal rights including other rights that vary from state to state. Some states do not allow limitations on how long an implied warranty lasts, or do not allow the exclusion of limitation of incidental or consequential damages, so the above limitations and/or exclusions may not apply to you.

5. At the rear end of the traction bar, insert the two urethane bushings (6) into the opposite sides of the pivot tube and insert the metal sleeve (8) into the bushings. Slide the flat washer (5) onto the pivot bolt (4) and insert the bolt through the pivot assembly. Insert the forward end of the traction bar into the mounting hole on the forward bracket and the pivot bolt into the mounting hole in the rear bracket. The pivot bolt can be installed in any of the holes provided in the bracket, but is usually installed in the center hole or in the case of a two hole bracket, in the front hole. Install Nyloc retaining nut (7) and tighten.

6. At the forward end of the traction bar, run the nut, washers and grommet out the shaft until the grommet is tight against the bracket. Slide the other grommet (9) long taper first, onto the metal sleeve tight against the bracket. Followed by the washer (10), the lock washer (11), and then the nut (12). Tighten the two nuts against their respective washer and grommet stacks until the dished washers bottom against the ends of the sleeve. DO NOT overtighten these nuts; doing so will damage the sleeve.

This installation procedure applies to either side of the vehicle.

#### SUSPENSION PRODUCT INFORMATION

Modifying your vehicle with JDI products to improve off road performance may result in the vehicle handling differently than a factory equipped vehicle. Taller tires will cause the vehicle's speedometer to read slow, so recalibration is required. Use of oversize tires, suspension lifts, body lifts, and other modifications may raise your vehicle's center of gravity, resulting in an increased tendency for the vehicle to pitch and roll during sudden turns or abrupt maneuvering. Failure to drive with extreme care to prevent loss of control or vehicle roll over may result in injury or death. Drive at a reduced speed to ensure your ability to maintain control of the vehicle under all driving conditions. We recommend installing functional roll bars and cages as well as double shocking all vehicles for more safety and stability on or off road. Always wear seat belts when in a vehicle. Consult your owners manual for recommended tire sizes, safety instruction and warnings unique to your vehicle. It is your responsibility to check state and local laws restricting vehicle height to ensure that modifications to your vehicle are legal.